

The **SAPHIR 330** is a twin wheel grinder and polisher for working wheels \varnothing 200 - 250 mm.

The especially strong, speed controlled drive allows application for all working steps.

The shock-resistant plastic basin, powder coated aluminium housing and high standard of technology inside the unit lend the requisites for quiet and smooth running.



SAPHIR 330



VARIABLE SPEED

The variable speed is determinable through a rotating switch.

The speed can also be changed during the working cycle.

The high torque stays constant through the whole speed range.

WATER

The water supply is switched manually.

The rinsing tap can be pulled out for cleaning the basin with the hose extension.

Optimum distribution of water can be reached by swinging the tap left and right across the diameter of the working wheel.



BASIC MODULE

SAPHIR 330

Order No.: M5630020

- » Twin wheel grinder/polisher
- » Variable speed
- » Aluminium case, powder coated
- » Impact-proof plastic bowl
- » Manual water valve
- » Basin rinsing
- » Incl. splashing ring and cover

EQUIPMENT

POWER SUPPLY (select equipment)

Equipment 1

230 V/50 Hz (1/N/PE)

Order No.: A5630003

Equipment 2

110 V/60 Hz (1/N/PE)

Order No.: A5630004

ACCESSORIES

SETTLING TANK

- » 2-chamber-pvc-compartment, 45 Ltr.
- » Basket with filter bag

**For System lab
(insertion mechanism)**

Order No.: A5800495

**Mobile**

Order No.: A5800496



SYSTEM LAB CABINET

Order No.: M5800042

- » System lab assembly
- » WxHxD 880x800x800 mm

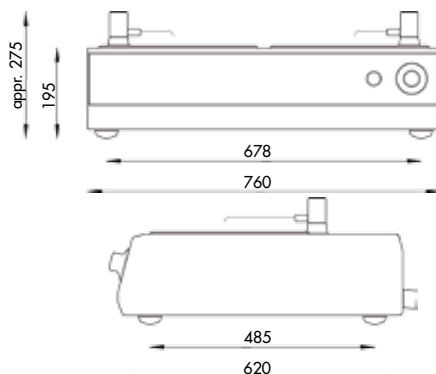


CONNECTION SET

Order No.: Z5600008

- » 1 drain tube Ø 40 mm; 1.5 m
- » 1 pressure tube R 1/2"; 2 m

SPECIFICATIONS



Working wheels	Ø 200 - 250 mm
Connected load	1.5 kVA
Power supply	1 230 V/50 Hz (1/N/PE)
	2 110 V/60 Hz (1/N/PE)
Speed	50 - 600 rpm
WxHxD	approx. 760 x 195 x 620 mm
Weight	44 kg